

# ALUMINIUM SUSPENSION SYSTEMS

**AL**



# NEW GRID SYSTEM FOR SUSPENDED CEILINGS

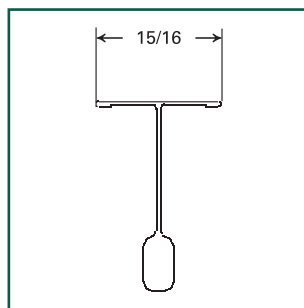
## SIZES AVAILABLE

ITEM	DESCRIPTION
DMAA - 144	MainT 1 1/2" x 144" - (ALIUM) ALL-ALUMINUM
DMAA - 48	Cross tee 1 1/2" x 48" - (ALIUM) ALL-ALUMINUM
DMAA - 24	Cross tee 1 1/2" x 24" - (ALIUM) ALL-ALUMINUM
UP - 9 ALIUM	Wall moulding - (ALIUM) ALL-ALUMINUM 10'

DMAC - 144	MainT 1 1/2" x 144" - (ACIUM) ALUMINUM CAPING, STEEL CORE
DMAC - 48	Cross tee 1 1/2" x 48" - (ACIUM) ALUMINUM CAPING, STEEL CORE
DMAC - 24	Cross tee 1 1/2" x 24" - (ACIUM) ALUMINUM CAPING, STEEL CORE
UP - 9 ALIUM	Wall moulding - (ALIUM) ALL-ALUMINUM 10'

## LOAD BEARING CAPACITY

LOAD BEARING CAPACITY FOR A L/360 SPAN DEFLECTION COMPLIANT WITH ASTM-C635.M2000 IS 10.0 LBS/PI FOR DMAA AND 16.0 LBS/PI FOR DMAC.



- Approved Steel Frame Components.
- T-shaped sections, 24 and 48 inches.



For more information  
on these products, please  
contact Customer Service:

Tel. : (450) 477-1122  
Fax: (450) 477-6034  
E-mail : alavoie@upd.ca

